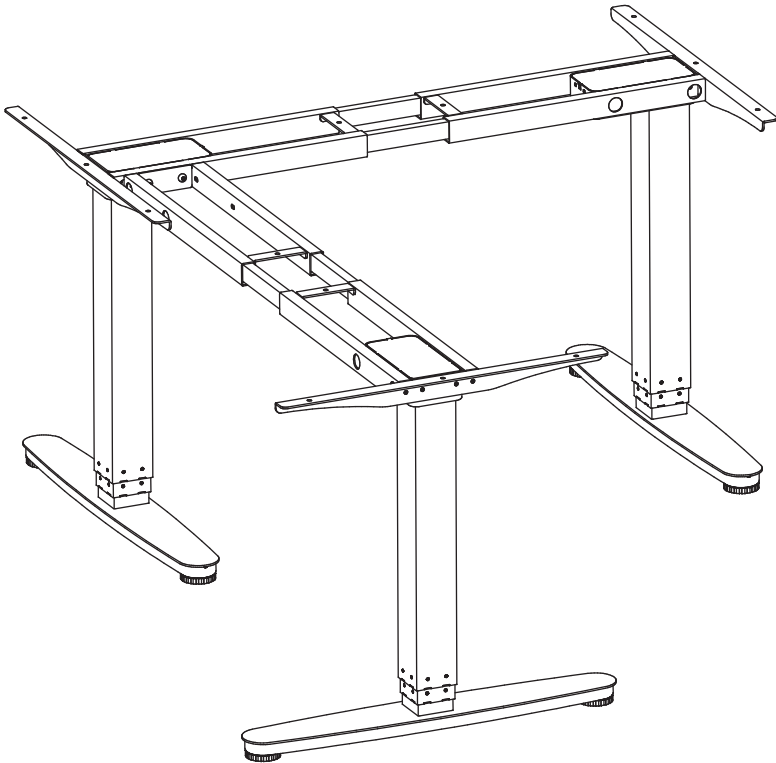




ERGO L Shape Electric Sit-Stand Desk Frame, Triple Motor

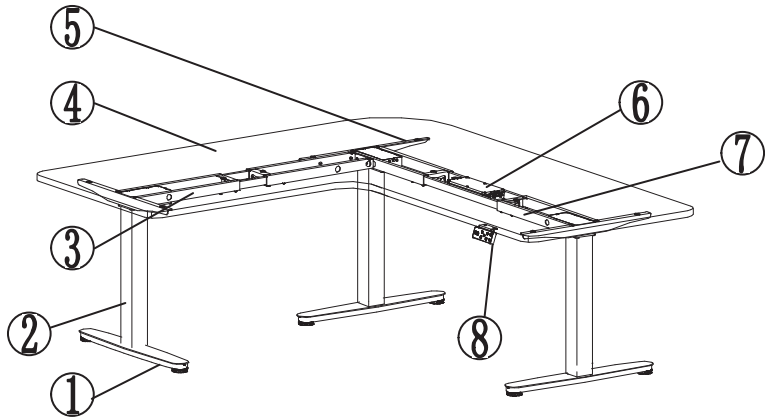


650820
650821



Rated Voltage:100-240V
Continuous Working 2 minutes,rest at least 18 minutes.







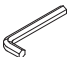
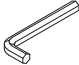
INSTALLATION MANUAL



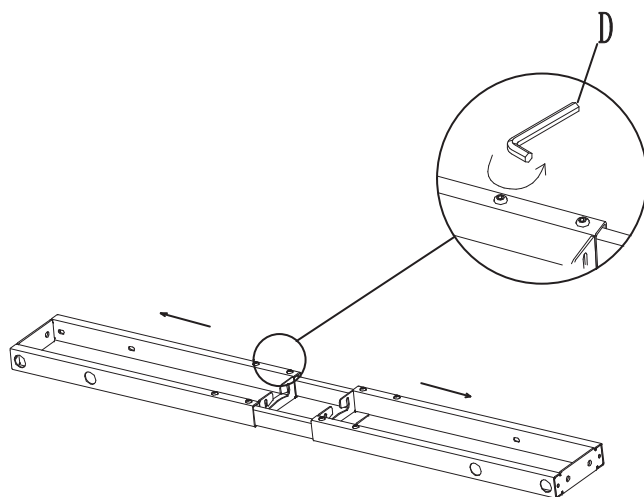
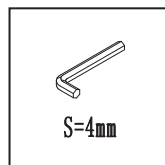
COMPONENT INCLUDED

NO.	Name	Quantity
1	Desk Feet	3
2	Height Adjustable Leg	3
3	Retractable Crossbar 2	1
4	Desktop (non-included)	1
5	Side Bracket	3
6	Controller	1
7	Retractable Crossbar 1	1
8	Hand Control Panel	1





Installation Accessories

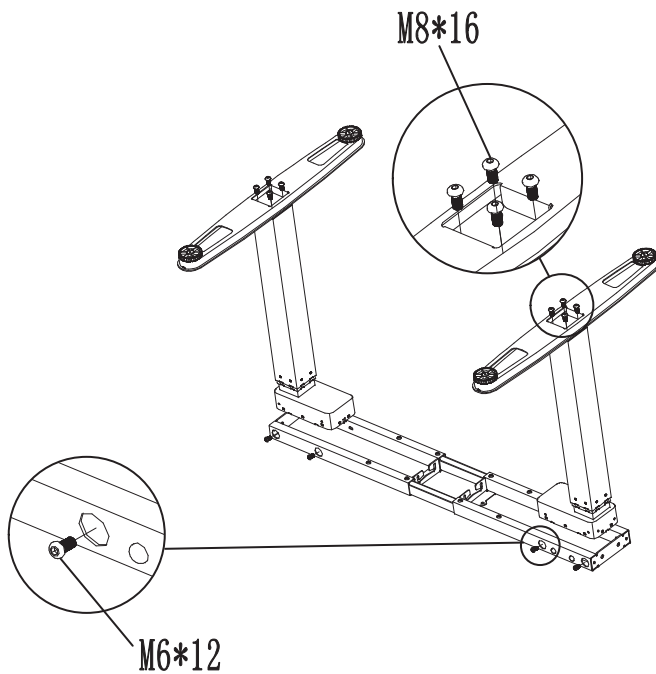
A	B	C	D	E	F	G	H
Levelling Studs (6)	M8*16 (12)	M8*10 (2)	M6*12 (24)	Rubber Gaskets (15)	ST4.8*16 (19)	4mm (1)	5mm (1)
							

1. Loosen the screws on the crossbar, drag the rail to keep the installation holes uncovered.








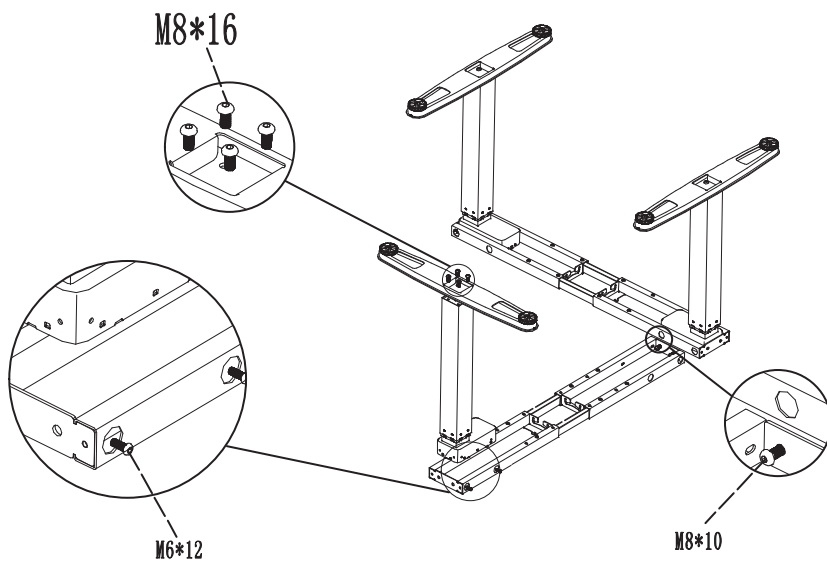
2. Assembly the height adjustable legs and desk feet.

 S=5mm	 M8*16 (8)
 S=4mm	 M6*12 (8)

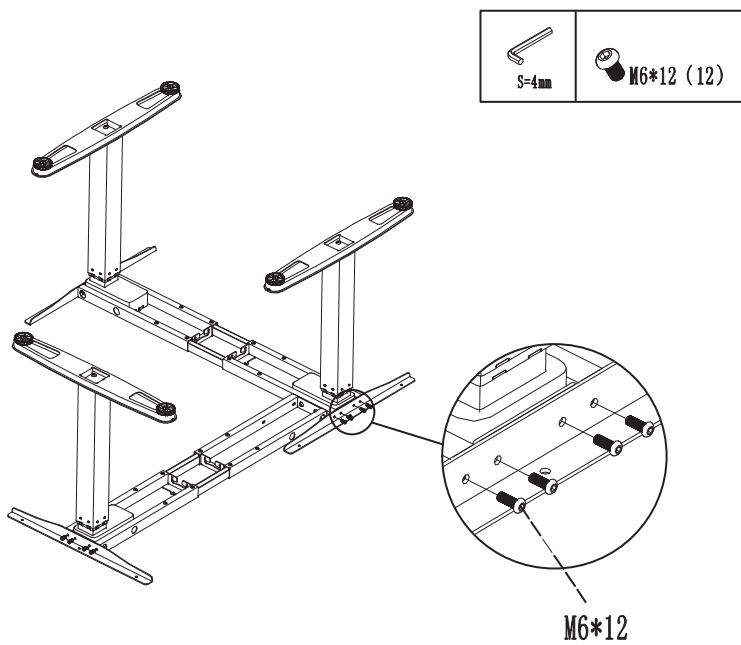


3. Assembly the other side in the similar way.


 S=5mm	 M8*16 (4)
	 M8*10 (2)
 S=4mm	 M6*12 (4)

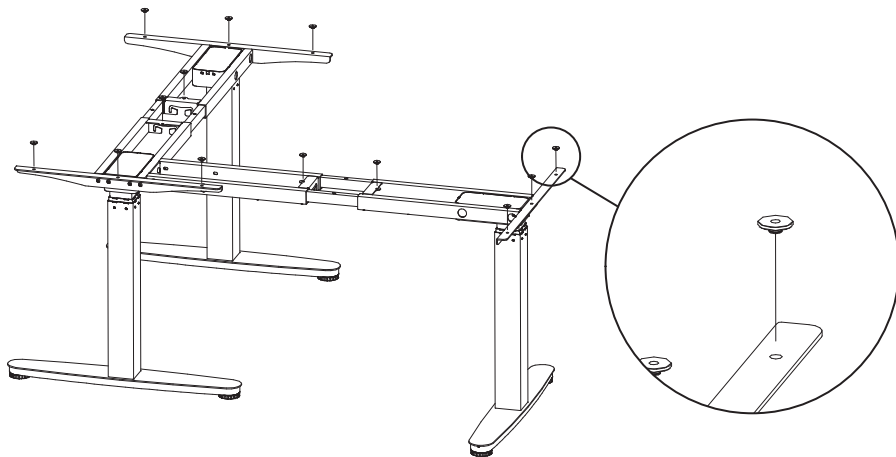


4. Assembly the top side brackets.

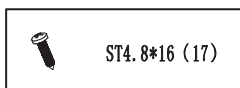


5. Place the rubber gaskets into the holes accordingly.

 Rubber gaskets (15)

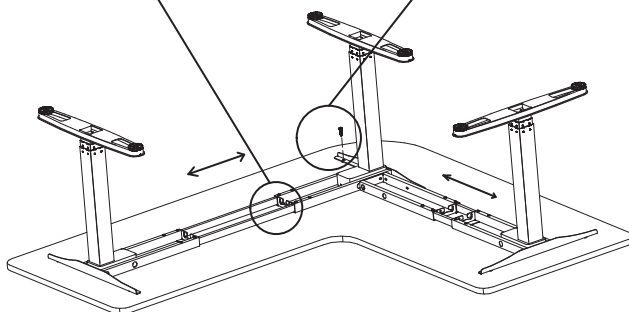
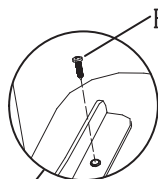
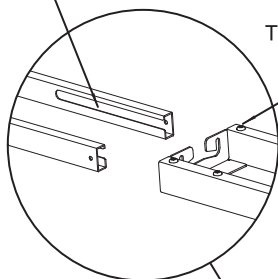


- 6.** Adjust the length of crossbar according to the desktop, then fix the neils (ST 4.8x16) through the holes on the side brackets and crossbar.

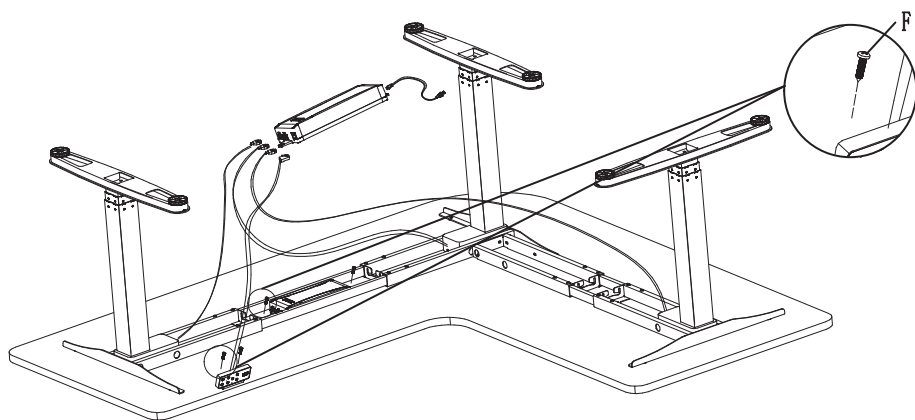


Please note the position of gap.

Tighten the screw after adjusting.



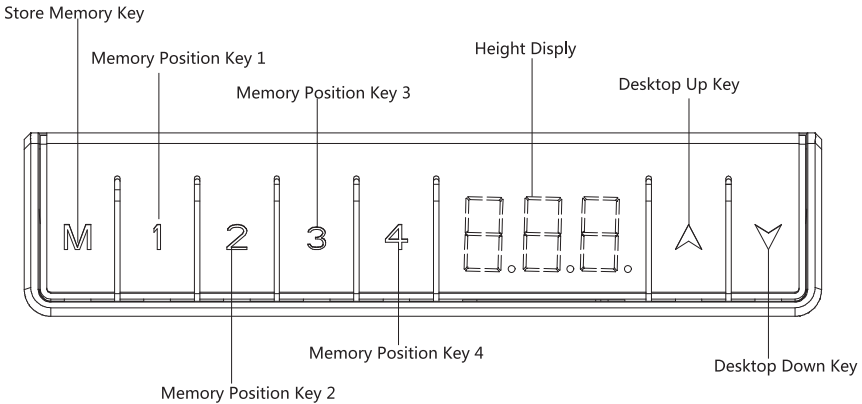
- 7.** Fix the controller and hand control panel on the proper position and connect the cables correctly.





Digital Control Panel Manual

1. Overview

Main features of the programmable Control Panel are shown in the figure below:





2. Control Panel Function and Operation

	Function	Description	Note
 Desktop Up Key	Desk Upwards	For an upward adjustment of the desk push this button. Push this button until the desired height of the desk has been reached.	The desk will continue driving upwards until you release the button, or the maximum height is reached.
 Desktop Down Key	Desk Downwards	For a downward adjustment of the desk push this button. Push this button until the desired height of the desk has been reached.	The desk will continue driving downwards until you release the button, or the minimum height is reached.

3. Storing a Position

You can use this function to adjust the desktop to a saved height with 4 positions. If you are switching on the control unit for the first time, all the saved position are set to the lowest desktop height, to change to a saved position proceed as follows:

-  a. Press the UP or DOWN key to adjust the desktop to the desired height, the display will show the desktop height.
-  b. Press and hold the "M" Key for 3s until the Numbers on the display started flashing.

1 c. Press Memory Position Key 1 to save the desk position in memory.

888 d. The display will read "P 1" the memory position number you saved.

The other position may be stored in the same way.

4. The System Reset

You can reset the desk position if system with any errors, to reset position proceed as follows:

1. By pressing the "▲" and "▼" key at the same time for 3 seconds until the display show " RES ", and the system will make a sound beep , reset is complete.
2. If the the position of desktop is not at the lowest height , need to press the "▲" and "▼" key at the same time until the position to the lowest , and the system will make a sound of beep, reset is complete.

5. Switch the unit between CM and Inch

The height unit can be switched between CM and Inch, check the proceed as follows:

1. Press the "M" and "1" at the same time for 3 seconds.
2. Display started flashing and read "C-E".
3. Press the "1" within 10 seconds, the display show "C", and switched the unit to CM; Press the "2", the display show "E", and switched the unit to "inch".
4. The display stopped flashing, and the switch is complete.

Errors Code and Description

Below are the possible errors which can be displayed . The errors will only be displayed when a button is pressed ,here is the errors code, description and resolve FYI.

Error code	Description	Resolve
E01	Lifting speed of two legs are not able to sync, or HALL signal failure	The system need to be initialized, refer to Instruction of The System Reset to resolve.
E04	Leg 1 has overload , over-current protection	Remove everything from the desktop and initialization the system. (better to hold for 18 minutes)
E08	Leg 2 has overload , over-current protection	Remove everything from the desktop and initialization the system. (better to hold for 18 minutes)
E10	Leg 1 has collided and rebounded	Initialization the system.
E20	Leg 2 has collided and rebounded	Initialization the system.
HOT	Over heating protection	Hold for 18 minutes to restart