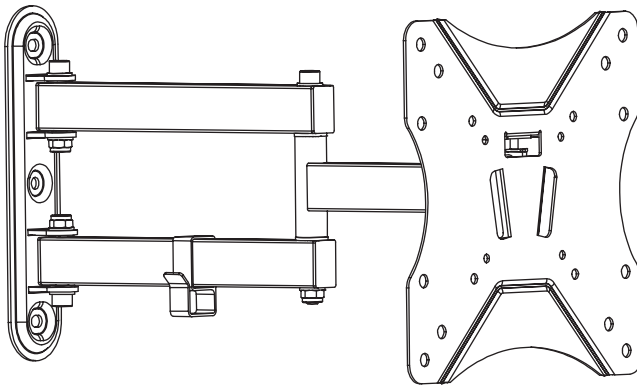




# 23"-42" Articulating TV Wall Mount Bracket



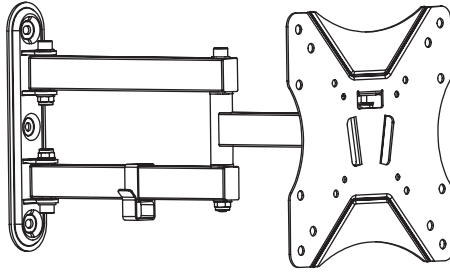
650404

**VESA**  
75x75 100x100  
200x100 200x200

MOST  
**13"-42"**  
TVs

  
Rated  
**25kg/55lbs**

**INSTALLATION MANUAL**



A (x1)



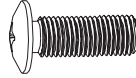
B (x1)



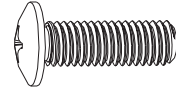
M4x14 (x4)  
M-A



M5x14 (x4)  
M-B



M6x14 (x4)  
M-C



M8x20 (x4)  
M-D



D5 washer (x4)  
M-E



D8 washer (x4)  
M-F



H5 spacer (x4)  
M-G



ST6.3x55 (x3)  
W-A

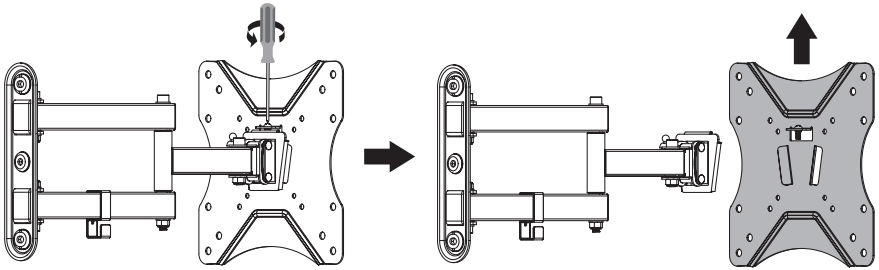


concrete anchor (x3)  
W-B

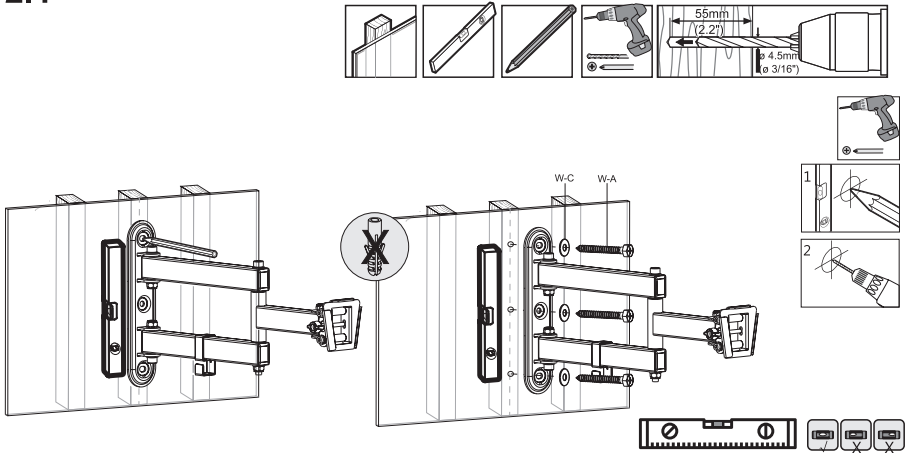


D6 washer (x3)  
W-C

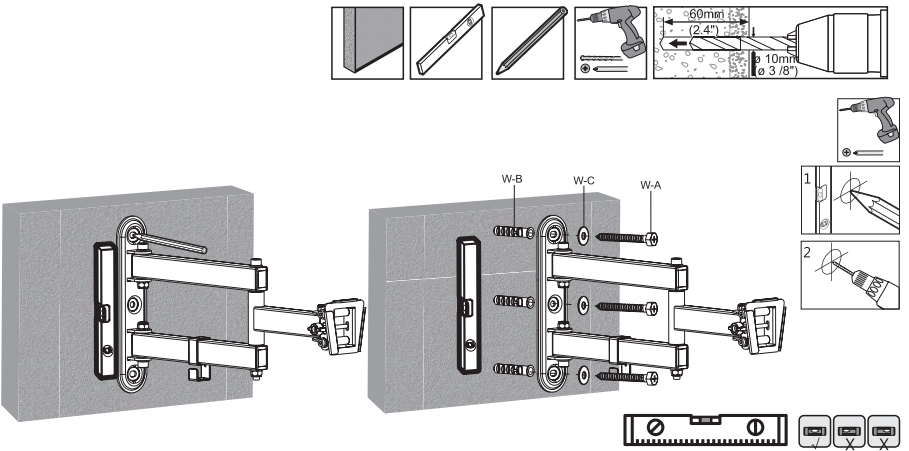
1.



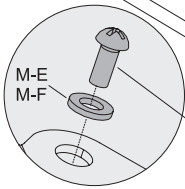
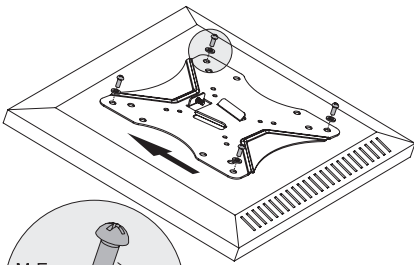
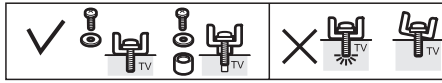
## 2.1



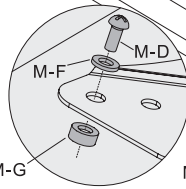
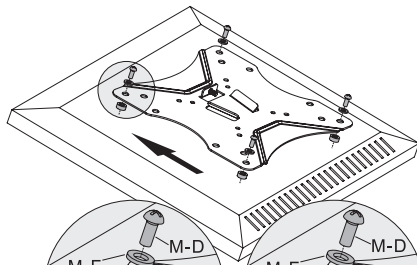
## 2.2



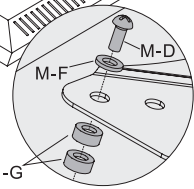
3.



M-A/M-B  
M-C/M-D



M-G



M-G

4.

