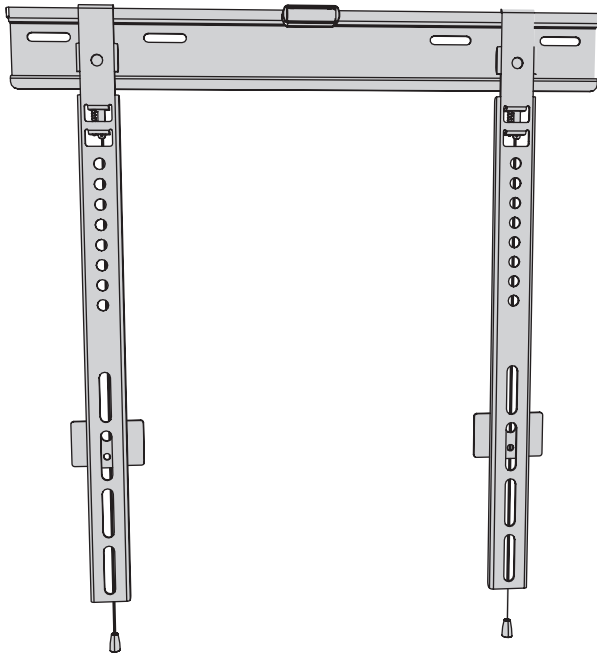




32"-55" Fixed TV Wall Mount Bracket



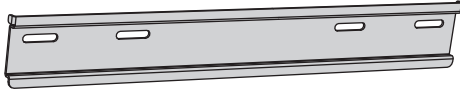
650363

VESA
MAX 400x400

MOST
23"-60"
TVs

Rated
35kg/77lbs

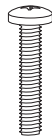
INSTALLATION MANUAL



M-A
M5x14mm
QTYx4



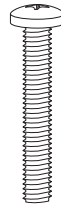
M-B
M6x14mm
QTYx4



M-C
M6x30mm
QTYx4



M-D
M8x30mm
QTYx4



M-E
M8x50mm
QTYx4



M-F
BRACKET STABILIZER
QTYx2



M-G
Small spacer
QTYx8



M-H
Big spacer
QTYx8



W-A
M6
QTYx4



W-B
PLASTIC
ANCHOR M6
QTYx4

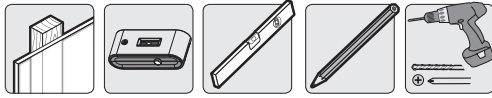


W-C
WASHER
QTYx4



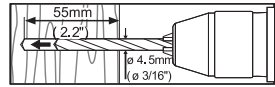
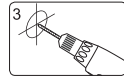
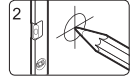
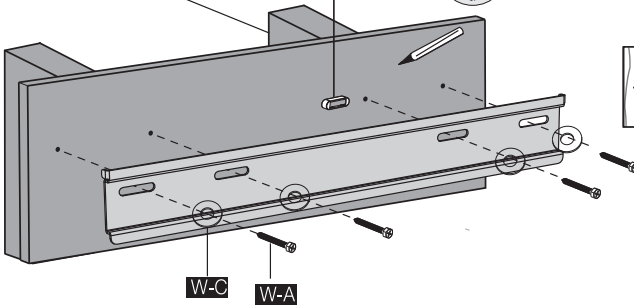
G2
LEVEL
QTYx1

1.1

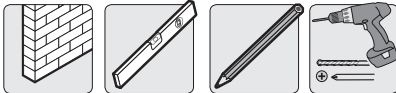


Wood Stud

G2

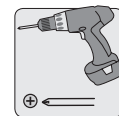
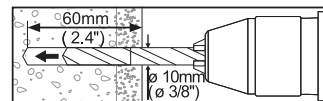
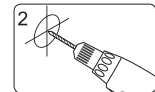
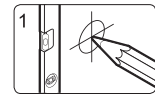
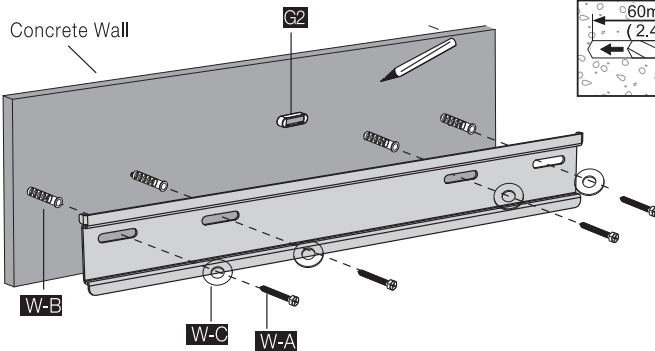


1.2

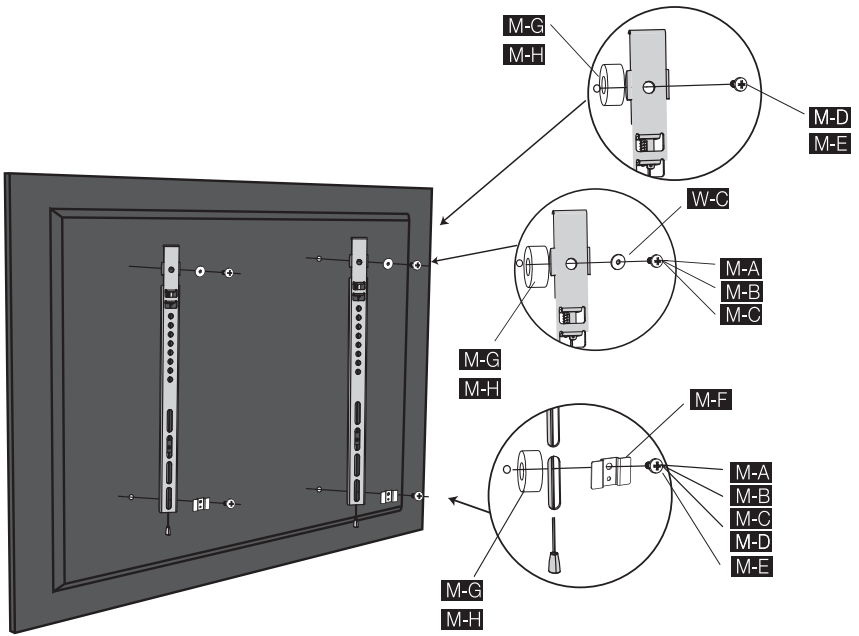


Concrete Wall

G2



2.



3.

