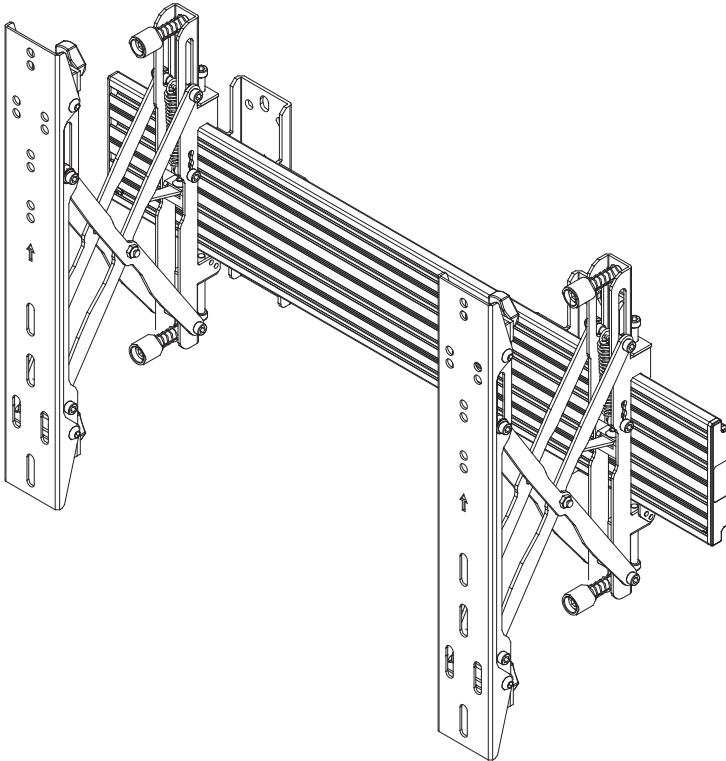




# 37"~65" Modular TV Wall Mount Bracket



650355

**VESA**  
100x100mm 600x400mm  
compatible

Support  
**37" - 65"**  
Screen Size

Max Load Capacity  
**30kg/66lbs**  
Per Screen

**INSTALLATION MANUAL**

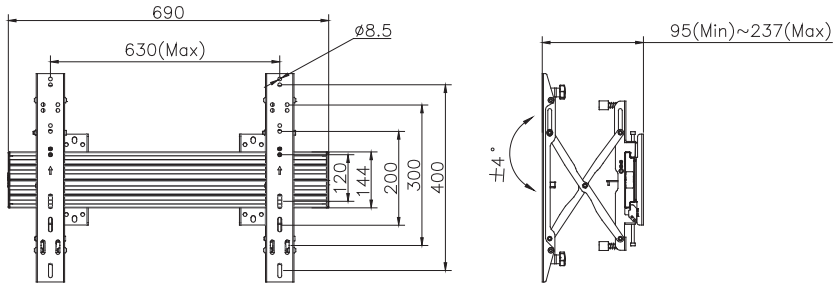
## WARNING

Severe personal injury and property damage can result from improper installation or assembly. Read the following warning carefully before beginning.

- Products must be installed by professionals.
- If you do not understand the instructions or have any concerns or questions, please contact a qualified local installer.
- Do not install or assemble if the product or hardware is damaged or missing, if you require replacement parts, please contact you local distributor for assistance.
- This product fits most 32" - 65"LCD / plasma screen; maximum weight of LCD /plasma screen: 30 kg / 66lbs per screen.
- This product has been designed for use on a vertical wall constructed of wood studs (minimum 2" x 4" inch(51x102mm)) or masonry (solid concrete).
- For safe installation, the wall you are mounting to must support minimum 3 times the weight of the total load (the mount, the TV and all accessories).
- Do not use this product for any other application than original designed.
- This product contain moving parts, please use with caution.
- When installing flat panel display, please do not damage electrical wiring or power source.
- Installation and routing of monitor cables on the monitor bracket must comply with electro-technical regulations.
- Importantly, mains- and data-cables must be secured against twisting and squeezing or shearing.
- The manufacturer will bear no responsibility to the vertical wall of mounting, or incidental or consequential damages arising thereof.
- The manufacturer disclaims any liability for the modifications, improper installation, or installation over the specified weight range. The manufacturer will not be liable for any damages arising out of the use of , or inability to use, the product.



## Dimensions



## Parts list

A1	A2	A3	A4
M5X15	M6X15	M8X15	$\varnothing 16 \times \varnothing 6.2 \times 1.5$
X4	X4	X4	X4

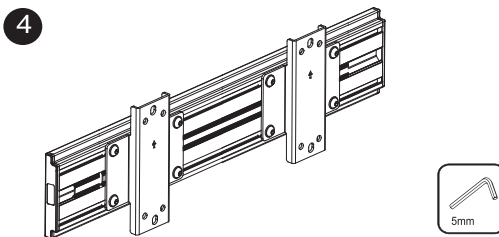
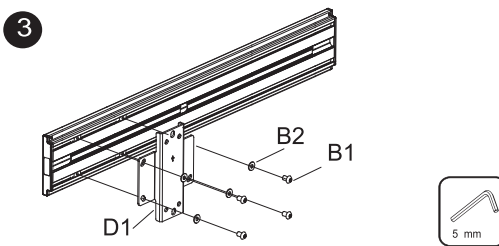
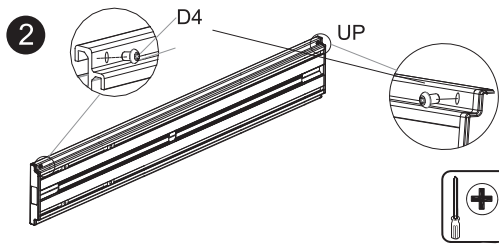
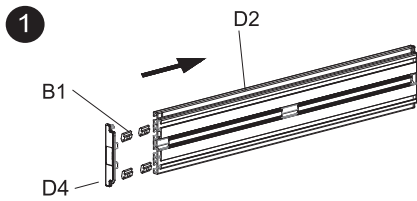
X1

B1	B2	B3	B4	B5	B6
M8X12	$\varnothing 16 \times \varnothing 8.2 \times 1.5$	M8	$\varnothing 16 \times \varnothing 8.2 \times 1.5$	Lag bolt	Anchor
X4	X4	X4	X2	X2	X2

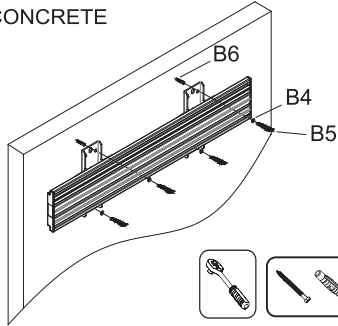
X2

	D1		D2		D3		D4		D5
X2		X1		X2		X2		(5mm)	X1

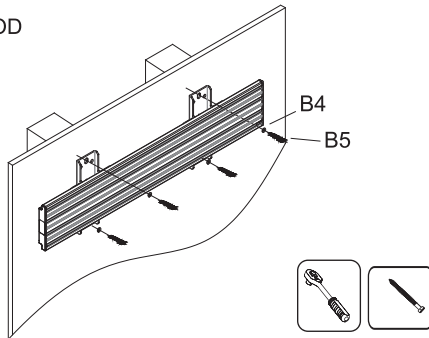
## Installation



**5** A) BRICK OR CONCRETE

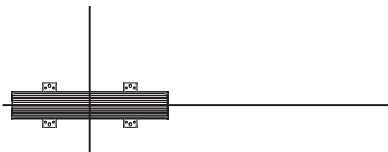


**5** B) WOOD

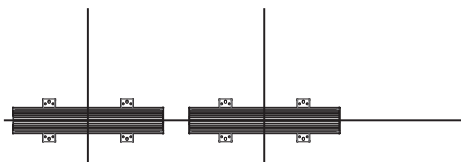


**6** Installing the Mounting Brackets

- 1) After you have mounted the first bracket as described, draw a horizontal line (the use of a laser leveller may help).

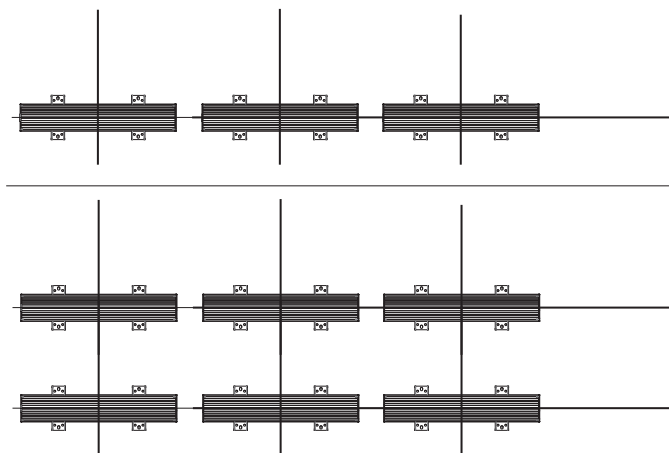


Alignment line

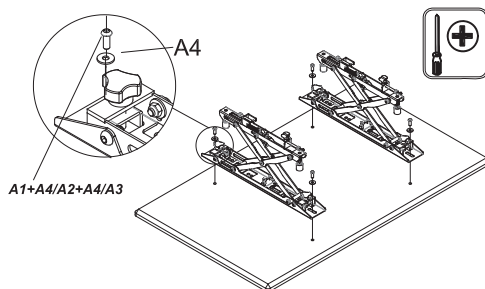


- 2) you can place the second bracket by tape measure proceed in this way with the other brackets.

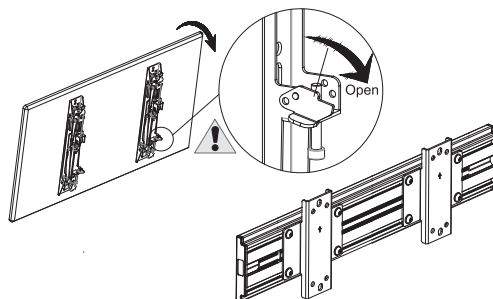
Alignement line



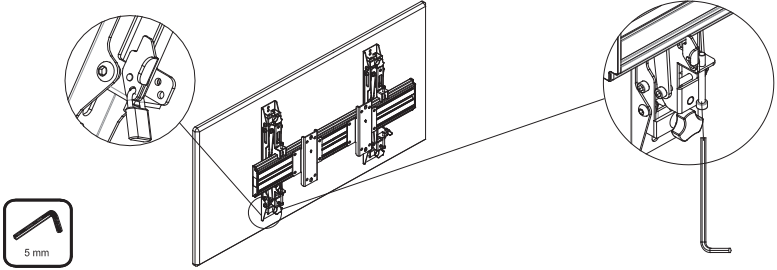
7



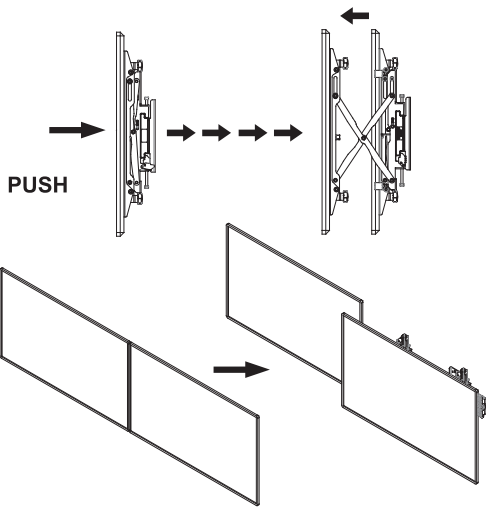
8



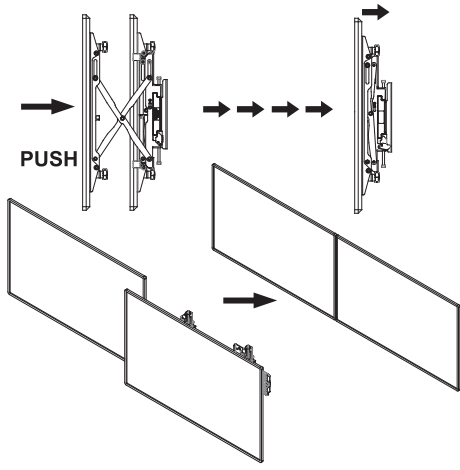
**9** Locks not included(accessory)



**10** Move Outward



**11** Move Inward



12

