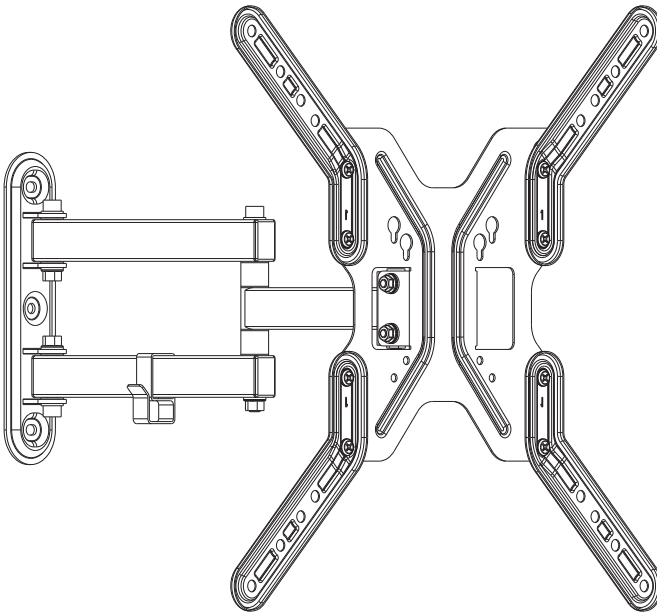




23"-55" Articulating TV Wall Mount Bracket



650108

VESA

75x75 100x100
200x100 200x200
300x300 400x400

MOST

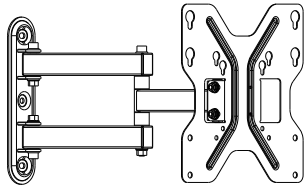
23" - 55"
TVs



Rated

30kg/66lbs

INSTALLATION MANUAL



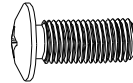
wall mount (x1)
A



6mm Allen key (x1)
C



M6/M8 wrench (x1)
D



M6x12 (X8)
E



M6 (X8)
F



cable clip (x1)
B



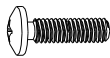
D6 washer (x8)
G



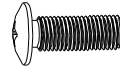
VESA adaptor (x4)
H



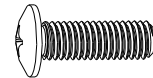
M4x14 (x4)
M-A



M5x14 (x4)
M-B



M6x14 (x4)
M-C



M8x20 (x4)
M-D



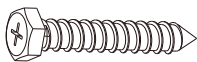
D5 washer (x4)
M-E



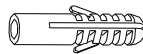
D8 washer (x4)
M-F



small spacer (x8)
M-G



ST6.3x55 (x3)
W-A

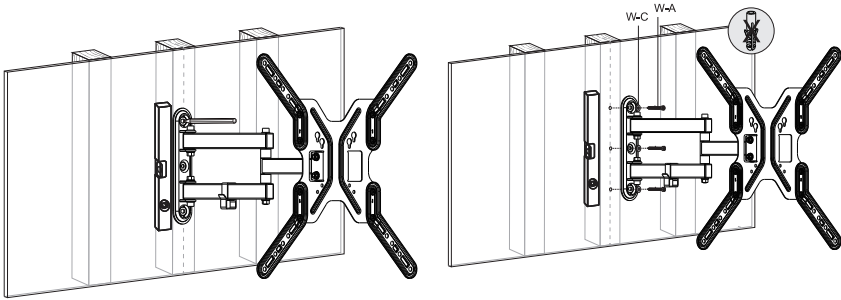
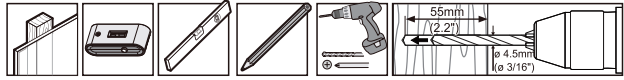


concrete anchor (x3)
W-B

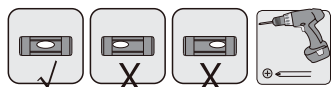
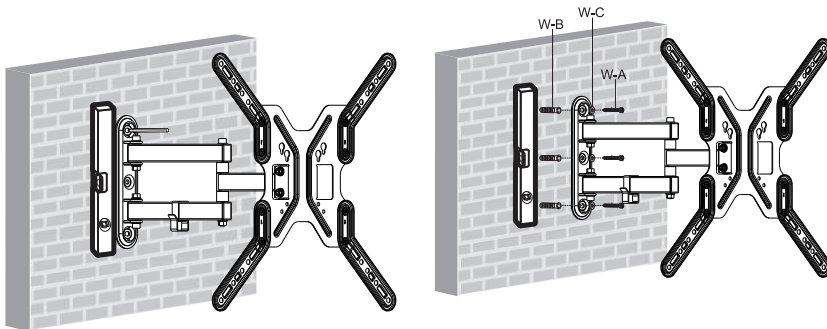


D6 washer (x3)
W-C

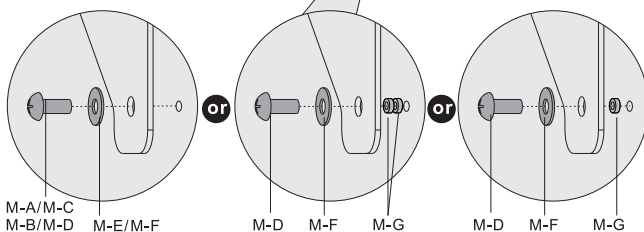
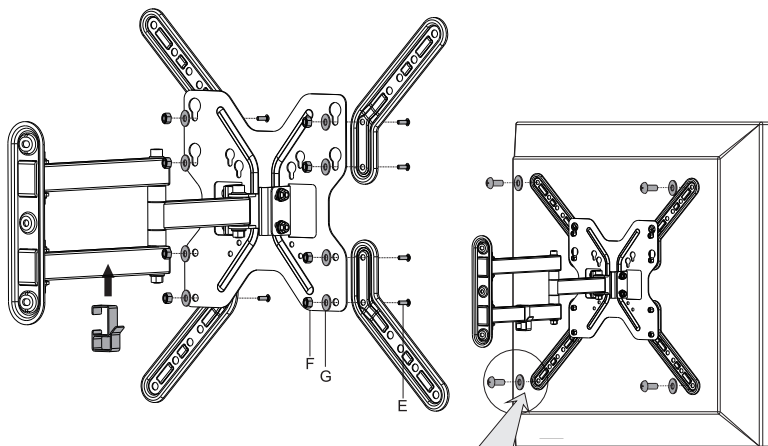
1.1



1.2



2.



3.

