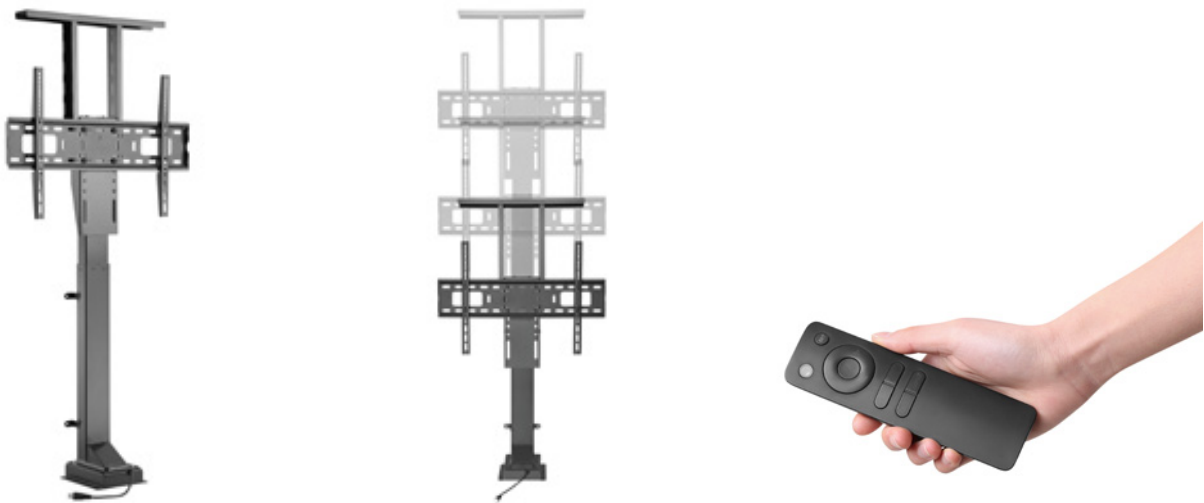


## 37"-65" Motorized Remote Control TV Stand

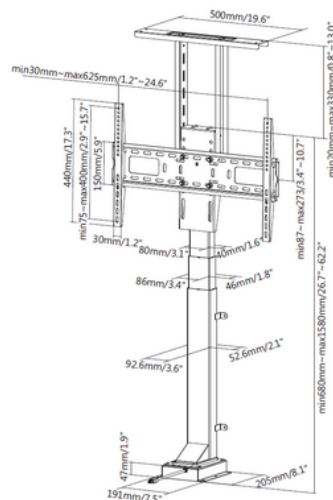
**Model no.: 650606**



### | Overview

The Equip 650606 helps create customized and hidden solutions for TV viewing. The top panel of the cabinet can be mounted to the stand that seals the box when the lift lowers – which saves space while maintaining a minimalist, uncluttered look. The high-quality motor provides an automatic lift function with just the press of a button, and this smart device features an anti-collision function as well, to keep your television safe. The convenient RF remote allows operation through walls and at distance from the TV.

### | Drawing



### I Key Features

- Remote Control Included: for easy movements
- Max. Load Capacity: 50Kg / 110lbs
- Height adjustment
- VESA standards compliant (Max. VESA: 600x400)

### I Specification

<b>Material</b>	Steel, Aluminum, Plastic
<b>Steel Surface Finished</b>	Sand-blasted Aluminum Anodized, Powder Coating
<b>Color</b>	Black
<b>Dimension</b>	1245x755x2315mm
<b>Suggested Screen Size</b>	37" - 65"
<b>Load Capacity</b>	50KG/ 100lbs
<b>VESA Mount Standard</b>	200x200,300x300,400x200,400x400, 600x400
<b>Tilt Range</b>	No
<b>Screen Rotation</b>	No
<b>Free Height Adjustable</b>	Yes
<b>AV Component Shelf</b>	Yes
<b>Shelf Height Adjustable</b>	Yes
<b>Weight loaded (Per Layer)</b>	50KG/ 100lbs

### I Package Contents

- 1 x TV Stand
- 1 x Screw Pack
- 1 x Quick Installation Guide