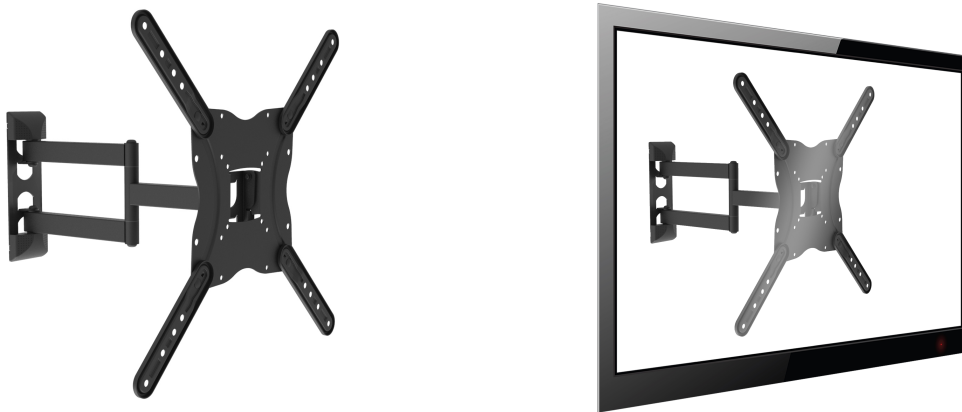


23"-55" Articulating TV Wall Mount Bracket

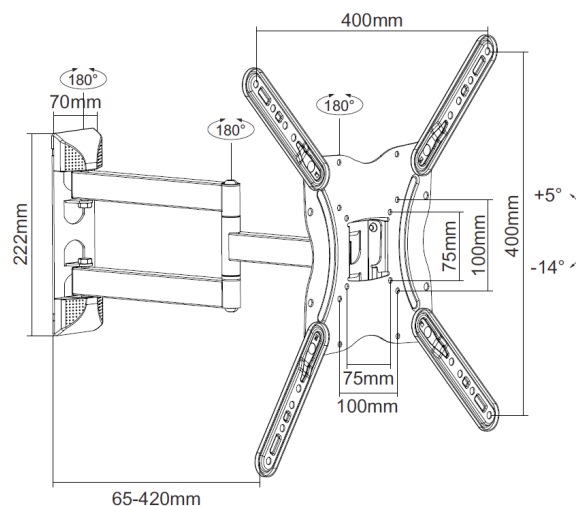
Model No.: 650407



| Overview

The equip[®] TV Wall Mount Bracket is a compact but sturdy product that ensures a reliable installation of your LCD/Plasma TV. Follow the graphic guide included in the package, you can install your TV on your own with ease. The wall bracket fits most of the wall materials- brick, concrete and wood, making the ideal choice for you to set up your screens.

| Drawing





www.equip-info.net

I Key Features

- Adjustment knob enables a full range of tilt action
- VESA standards compliant

I Specification

Material	Steel
Color	Black
Dimension	403x403x420mm
Suggested Screen Size	23" - 55"
Support Curved TV	No
Load Capacity	30KGS
VESA Mount Standard	75x75 100x100 200x100 100x200 200x200 200x300 300x200 400x200 200x400 300x300 400x300 300x400 400x400
Max. VESA	400x400mm
Mounting Hole Pattern	Standard VESA
Distance to Wall	65mm-212mm
Screen Freely Tilting	Yes
Tilt Range	+5° ~ -14°
Swivel Range	+90° ~ -90°
Panel Type	Detachable Panel
Free Height Adjustable	No
Installation	Single Stud
Wall Plate Type	Fixed Wall Plate
Cable Management	YES

I Package Contents

- 1 x Wall Mount Bracket
- 1 x Screw Pack
- 1 x Quick Installation Guide

