

## 13"-55" Articulating TV Wall Mount Bracket

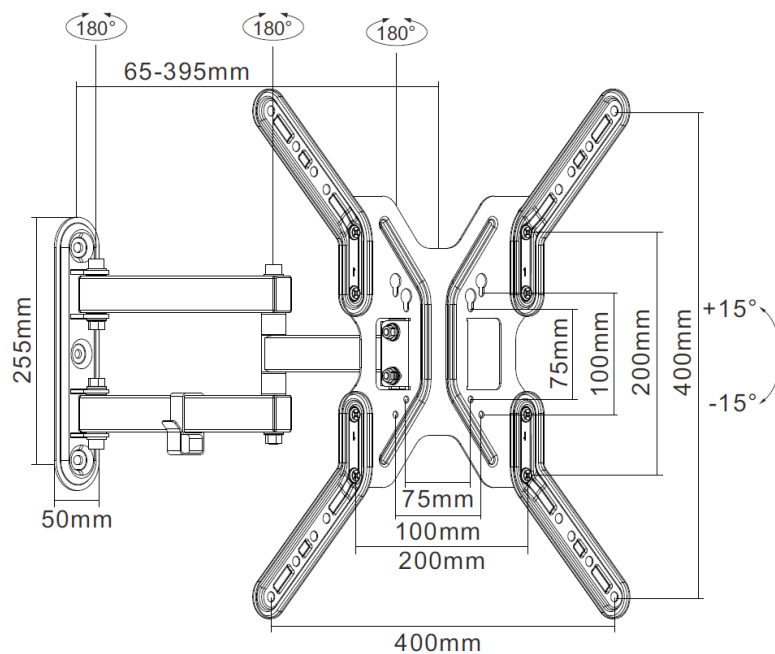
Model No.: 650108



### Overview

The equip® TV Wall Mount Bracket is a compact but sturdy product that ensures a reliable installation of your LCD/Plasma TV. Follow the graphic guide included in the package, you can install your TV on your own with ease. The wall bracket fits most of the wall materials- brick, concrete and wood, making the ideal choice for you to set up your screens.

### Drawing



### I Key Features

- Swivel and tilt wall mount
- Built-in Cable management
- Integrated bubble level assures easy installation alignment
- VESA standards compliant

### I Specification

<b>Material</b>	Steel
<b>Surface Finished</b>	Powder Coating
<b>Color</b>	Black
<b>Dimension</b>	403x403x395mm
<b>Suggested Screen Size</b>	13"-55"
<b>Support Curved TV</b>	No
<b>Load Capacity</b>	30KG (66LBS )
<b>VESA Mount Standard</b>	75x75, 100x100, 200x100, 200x200,400x400mm
<b>Max. VESA</b>	400x400mm
<b>Mounting Hole Pattern</b>	Standard VESA
<b>Distance to Wall</b>	65-395mm
<b>Screen Freely Tilting</b>	No
<b>Tilt Range</b>	-15° ~ +15°
<b>Swivel Range</b>	-90° ~ +90°
<b>Installation</b>	Single Stud
<b>Wall Plate Type</b>	Slide-In Wall Plate
<b>Anti-Theft</b>	No
<b>Cable Management</b>	Yes

### I Package Contents

- 1 x Wall Mount Bracket
- 1 x Screw Pack
- 1 x Quick Installation Guide

