

## 8 ports Cat.5e Desktop Patch Panel

227308

The equip<sup>®</sup> Desktop Patch Panel is a compact network distribution unit integrating cable management system for better routing and strain relief requirements, suitable for both LSA and 110 standards. Featuring 8 x RJ45 ports, this patch panel is recommended to connect with equip<sup>®</sup> patch cords and cabling accessories to achieve outstanding performance. Moreover, each port is marked with port number for recognition.

### | Specification

<b>Category</b>	Cat.5e
<b>Ports</b>	8
<b>Shielding</b>	Shielded
<b>Size</b>	10", 1U

### | Key Features

- Desktop or wall-mount
- Compliant with ANSI/TIA/EIA 568 standard
- 8 x Shielded RJ45 ports
- Shielded Case

### | Ordering Information

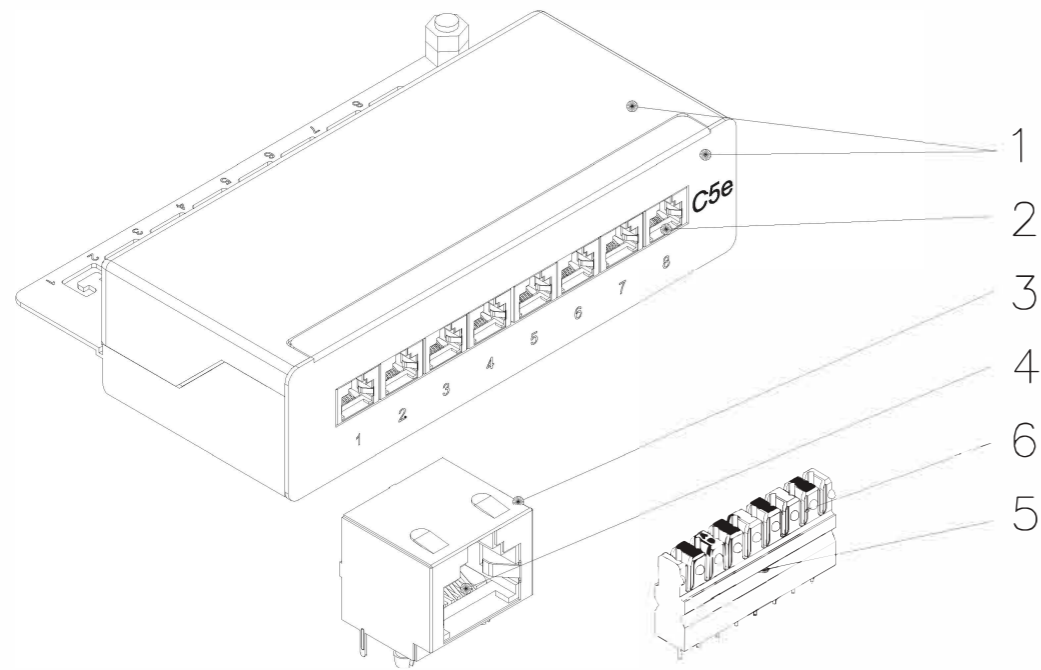
PN	EAN	Color
227308	4015867455050	Light Grey

### | Package Contents

- Cat.5e, 8 Ports Patch Panel

Packing: equip carton box





RJ45 RIGHT ANGLE JACK      IDC (KDA) Krone 45°-110 Dual

SCALE 1/3

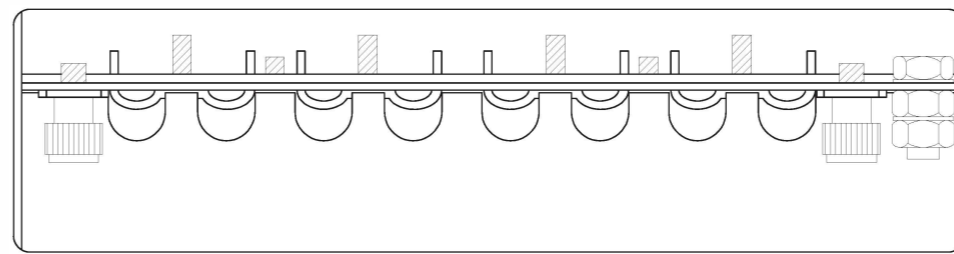
Specification :

Material :

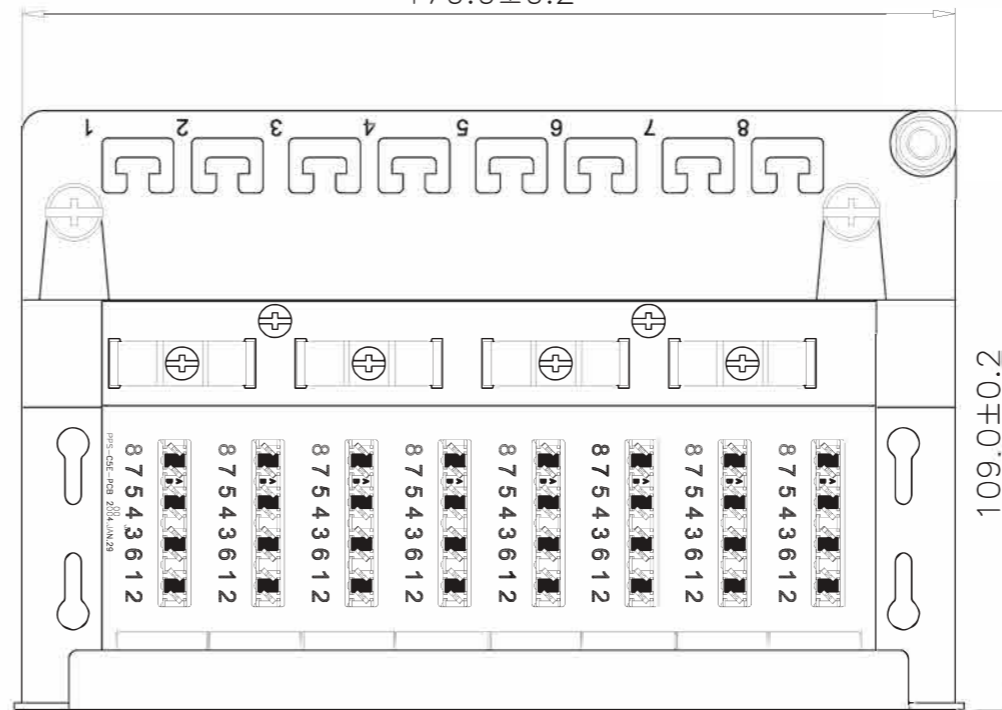
1. Top & Bottom Case : SECC, 1.2mm thickness With Black color painted.
2. RJ45 Jack Housing : PBT, UL 94V-0.
3. RJ45 Jack Shield : Bronze with Nickel plated.
4. RJ45 Jack Contact material & finished :
  - 4-1. Phosphor Bronze, Round pin.
  - 4-2. Min. 50 micro-inch Gold plating over 50-60 micro-inch Nickel plated.
5. IDC Housing : Polycarbonate, UL 94V-2, KRONE dual.
6. IDC Terminal material & finished :
  - 6-1. Phosphor Bronze with 50 micro-inch Tin plated.
  - 6-2. 110 & Krone tool compatible.
  - 6-3. Use for 22-26 AWG stranded & solid wire.

Performance :

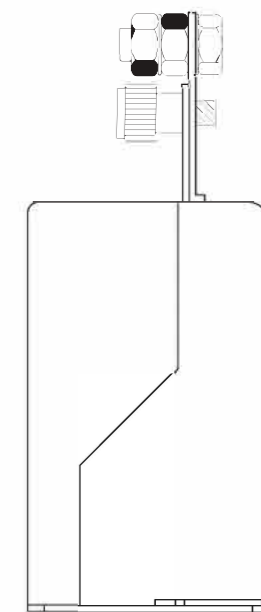
- a. The IDC color codes combine two wirings of T568A & T568B.
- b. Operation Temperature : -40°C to 80°C.
- c. Insertion Force : 900 gms for 8 contacts.
- d. Retention Strength : 7.7 kgs between Jack and Plug.
- e. Durability :
  - e-1. Jack : 750 cycles Plug-Jack mating and unmating test, insertion cycles at 20 cycles/minute max. Contact resistance test per 100 cycles.
  - e-2. IDC : Max. 200 punching times.
- f. The Cat.5e performance is in compliance with the ANSI/TIA/EIA 568 B.2 standard.



170.0±0.2




109.0±0.2



44.0±0.2

173.0±0.2

GENERAL TOLERANCE OF DIMENSIONS X.XXX ±0.005 X.XX ±0.05 X.X ±0.1	DRAWING	30.JUL.2008	WLL		
	CHECK	30.JUL.2008	JANE		
	APPROVAL	30.JUL.2008	JAIMY		
		DATE	NAME	ITEM NO.: 227308	
	SCALE	1/2 (A4)	UNIT	mm	DES.:
	DRAWING NO.				
	DRAWING CLASSIFICATION		S	SHEET	1 OF 1