

1

2

3

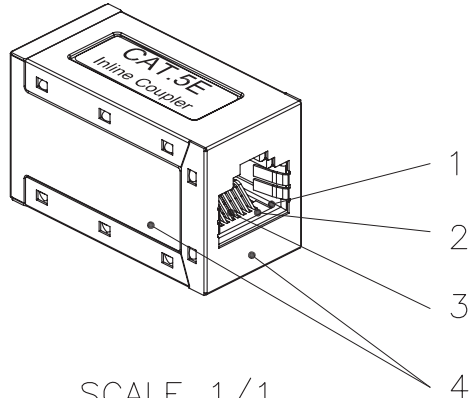
4

5

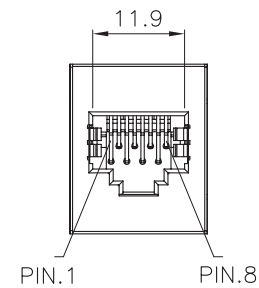
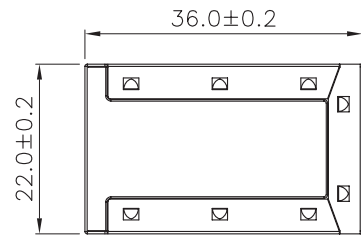
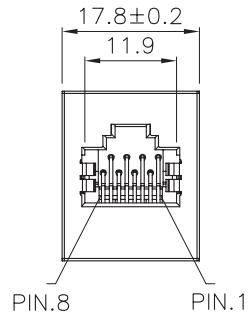
6

A

A



SCALE 1/1



Specification :

Material :

1. Plastic Housing : ABS + PC, UL 94V-0.
2. Jack Bracket Set : Polycarbonate, UL 94-HB, Transparent color.
3. RJ45 Jack Contact material & finished :
 - 3-1. Phosphor Bronze with 50-60 micro-inch Nickel plated.
 - 3-2. Contact area : Min. 3 mm 50 micro-inch Gold plated.
4. Shield : Bronze with Nickel Plated.

Performance :

- a. Insertion Force : 900 gms for 8 contacts.
- b. Retention Strength : 7.7 kgs between Jack and Plug.
- c. Operation Temperature : -40°C to 80°C.
- d. Durability Jack : 750 cycles Plug-Jack mating and unmating test, insertion cycles at 20 cycles/minute max. Contact resistance test per 100 cycles.
- e. The Cat.5e performance is in compliance with the ANSI/TIA/EIA 568 B.2 standard.

GENERAL TOLERANCE OF DIMENSIONS X.XXX ±0.005 X.XX ±0.05 X.X ±0.1	DRAWING	11.JAN.2007	Michelle	
	CHECK	12.JAN.2007	Jaimy	
	APPROVAL	12.JAN.2007	Jaimy	
		DATE	NAME	ITEM NO.:
SCALE	1/1 (A4)	UNIT	mm	DES.:
		DRAWING NO.		
		DRAWING CLASSIFICATION	S SHEET 1 OF 1	

B

B

C

C

D

D

1

2

0

3

4

10cm

5

6