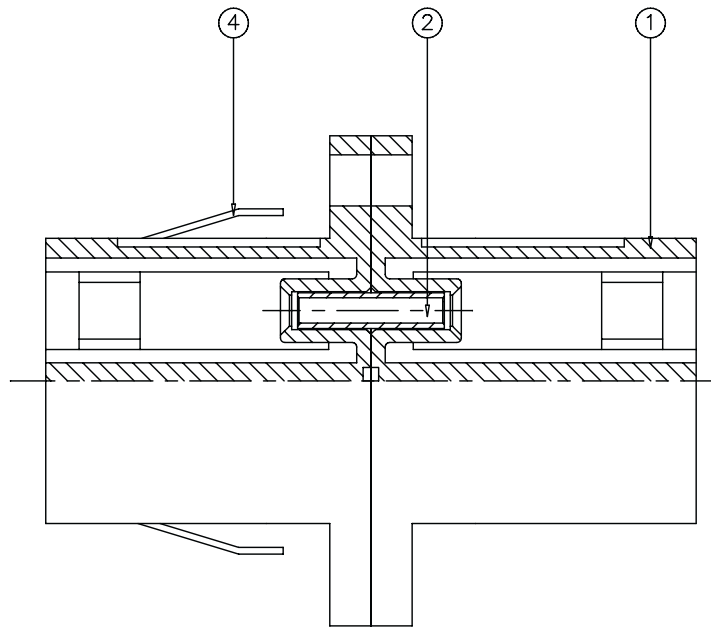
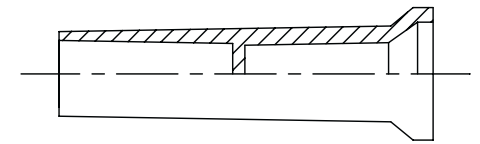


White



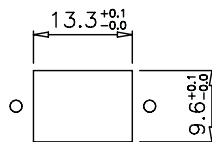
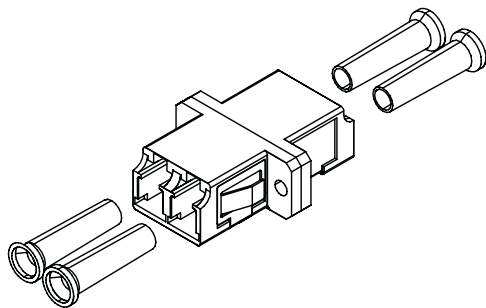
Ivory



White

DESCRIPTION

RECOMMENDED PANEL THICKNESS 1.60 ± 0.1



SUGGESTED PANEL CUTOUT

MECHANICAL :

	MATERIAL	Q'TY
1. HOUSING	PC	2
2. SLEEVE	PHOSPHOR BRONZE	2
3. DUST COVER	TPU	4
4. CLIP	STAINLESS	1

NOTE: TOL ± 0.1 m/m



**DIGITAL DATA
COMMUNICATIONS**



156151007_LC-Duplex Adapter/Coupler Multimode, beige