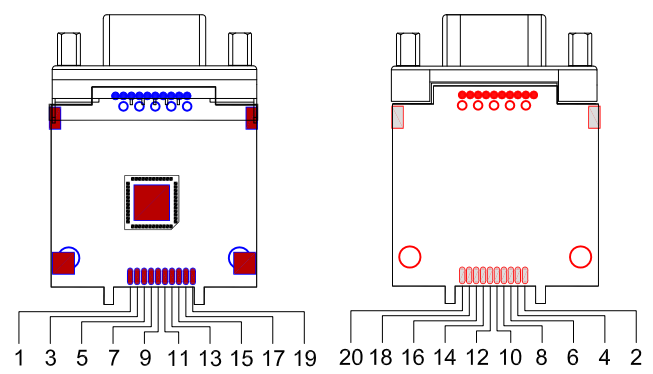
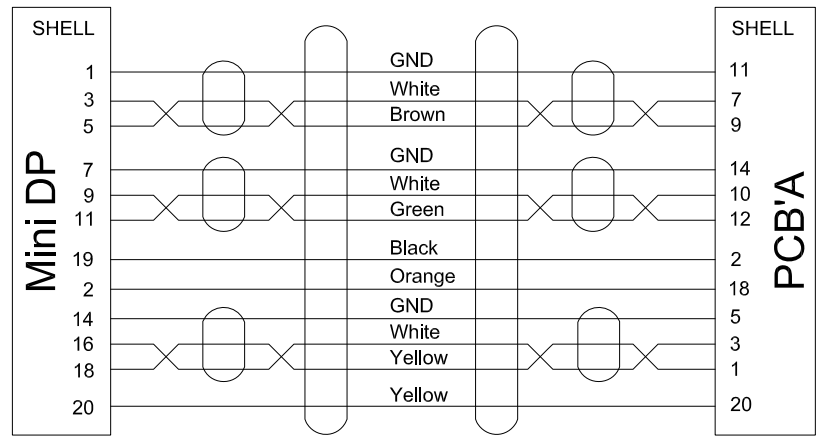
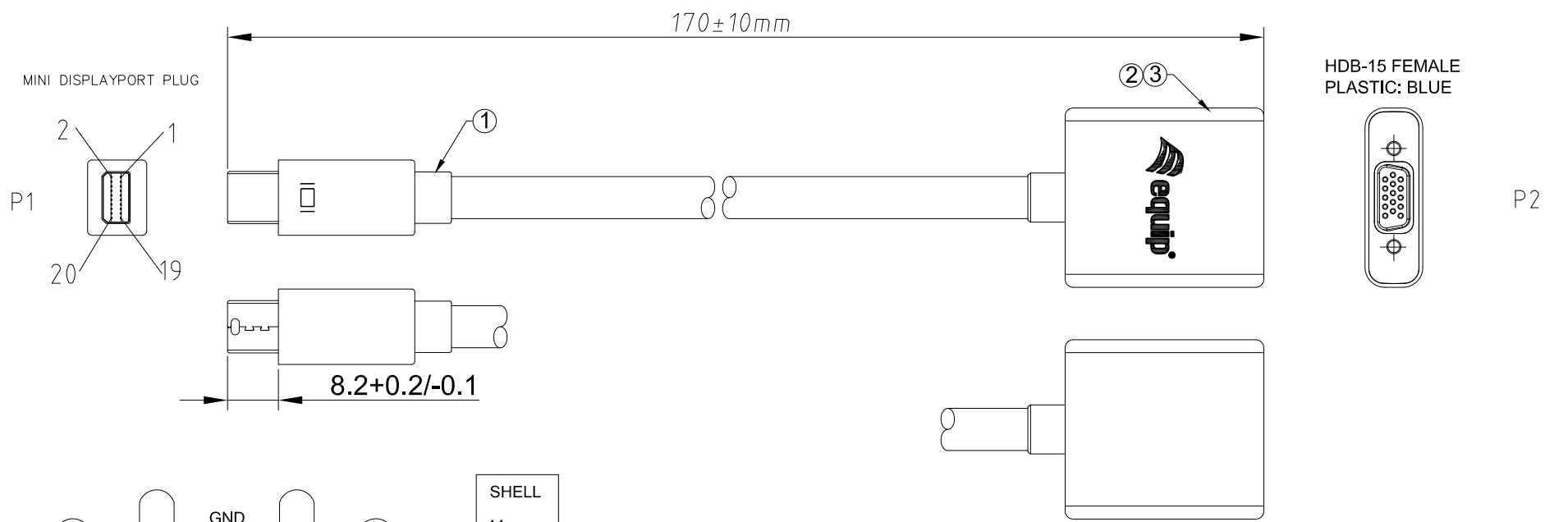


REV	ECN NO.	DESCRIPTION OF CHANGE	DATE
A0		INITIAL RELEASE	2016-2-24



TEST WITH 1080P RESOLUTION

3	PVC	60P PVC Black	9.50g
2	Cover	VGA Black Case.	1 Pcs
	Front Cover	VGA Front Cover Black.	1 Pcs
	Cable clamp	VGA/HDML/DVI PCB' A 32# Cable clamp	1 Pcs
	CONN	MINI DP TO VGA F PCB' A, Plate Gold.	1 Pcs
1	CABLE	UL20276 (32AWG*1P+D+AL/MY)*5C+32AWG*5C+MY/AL+BRAID, JACKET PVC BLACK. OD=5.5±0.20mm	1 Pcs
NO.	Material name	Specification description	Q' TY

DWG NO	(UNIT) MM
REV	(SCALE)
PAGE	1/1
DESIGN	DIMENSIONS ARE IN MILLIMETERS TOLERANCES:
CHECKED	LINEAR: X ± 1.0 XX ± 0.5 XXX ± 0.15 X.XXX ± 0.05
APPROVED	ANGULAR: ± 0.5

TITLE	Mini DP to VGA Adapter Cable
PART NO	133432