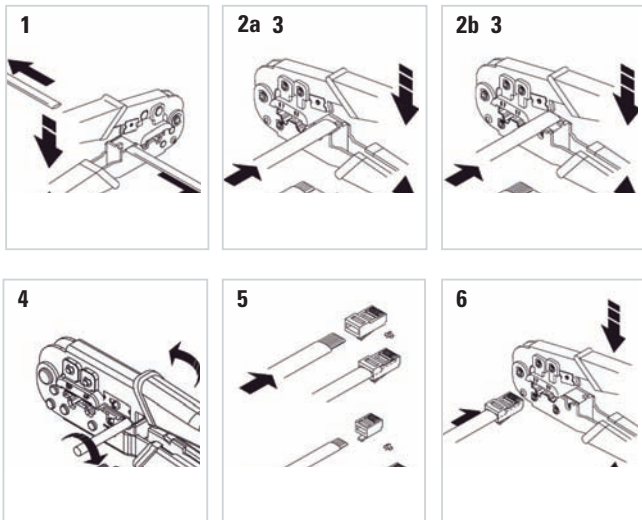
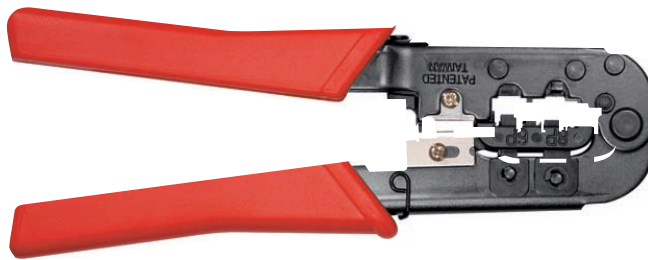


Crimping Tool Universal

Crimping 8P8C/RJ45 - 6P6C/RJ12 - 6P4C/RJ11



Instructions

Remove the closed lock to open the handles

Cutting modular cables:

- 1 Place the single-bladed side of the tool's cutter facing you and cut the cable to the desired length. Make sure to cut the ends straight, not diagonally.

Stripping flat cables:

- 2a Insert 4P/6P cables into the two-bladed side of the tool's stripper until it touches the stop guide.
- 2b Insert 8P/10P cables into the two-bladed side of the tool's stripper and let it extend a little over the lower cut blade.
- 3 Squeeze handles until stop, keep the cable perpendicular and then pull from the tool.

Stripping round cables:

- 4 Insert the cable into the round stripping hole, turn the tool in counter clockwise direction and the cable in clockwise direction simultaneously, pull from the tool.

Crimping modular plugs

- 5 Insert the stripped cable into the plug and make sure that the left wire at one end matches the right wire at the other end.
- 6 Place the modular plug with cable into the tool's holder. Be sure the stripped wire is between the tab and the gold contacts. Squeeze the handles until stop. Remove the crimped plug from the tool.

Package Contents

- 1x Crimping Tool Universal