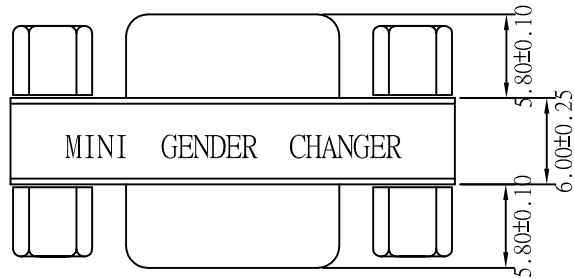
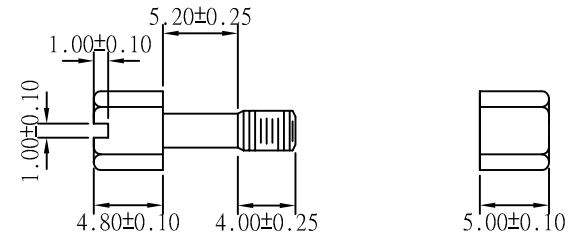


UNC #4-40 Hexscrew

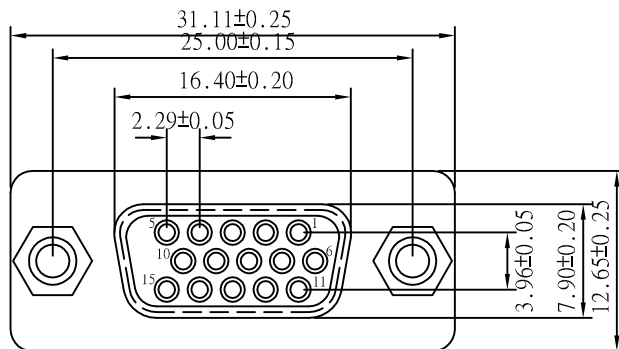
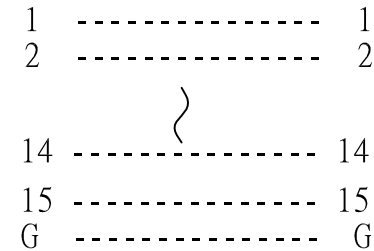
UNC #4-40 Hexnut



HGC 15 F/F GENDER CHANGER

PIN OUT: 15Female

15Female



Label: yellow color with black character  
 One side: MINI GENDER CHANGER

The other side: U.S.A. PATENT 5199906 GENDER CHANGER

SPECIFICATION

INSULATOR: PBT Glass fibre reinforced UL 94 VO(black)

CONTACT: Brass

CONTACT PLATING: Gold plated over nickel

SHELL: Tin plated shell

124321  
 HD15 VGA F/F Gender Changer

