



## Cat.5 RJ45 Plug

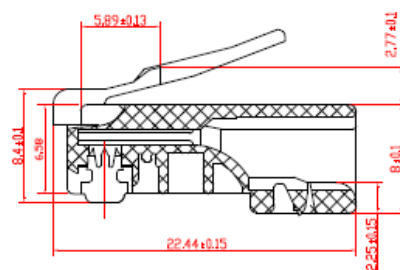
121145

The equip<sup>®</sup> Modular Plug is made of high-quality materials and a sturdy component for the RJ45 round cable deployment.

### | Specification

<b>Category</b>	Cat.5e
<b>Material</b>	Plastic
<b>Shielding</b>	Un-Shielded
<b>Gold Plated</b>	Yes, 3U"

### | Drawing:



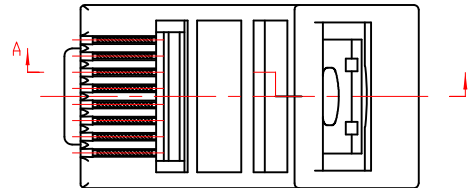
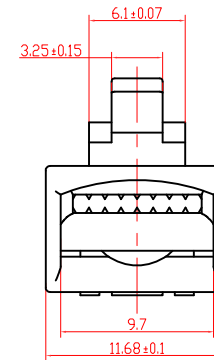
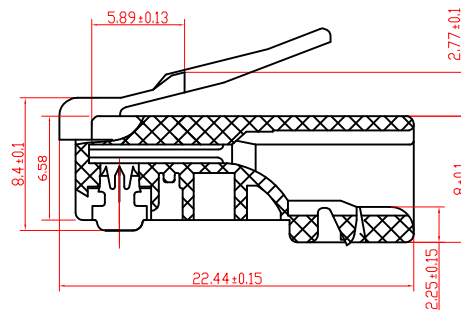
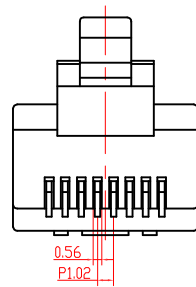
### | Ordering Information

PN	EAN	Color
121145	4015867209349	Transparent

### | Package Contents -

Cat.5e RJ45 plug

Packing: equip zip bag (100PCS/Bag)



SPECIFICATION NOTES:

ELECTRICAL:

1. VOLTAGE RATING: 150 VAC RMS
2. CURRENT RATING: 1.5 AMP
3. CONTACT RESISTANCE: 20mΩ MAX.
4. INSULATION RESISTANCE: 1000MΩ MIN. AT 500V DC.
5. DIELECTRIC STRENGTH: 1000 V AC OR 1500V DC RMS AT 0.5 mA 50 Hz / 60Hz FOR 1 MINUTE

MECHANICAL:

1. RETENTION STRENGTH: 50N MIN. FOR 60S ±5S
2. OPERATING LIFE: 750 CYCLES MIN.
3. INSERTION FORCE: 30N MAX.

ENVIRONMENTAL:

1. OPERATION: -25° C ~ +55° C GB 10753-89
2. STORAGE: -10° C ~ +40° C RELATIVE HUMIDITY < 80%, GB 10753-89

CHARACTERISTICS:

PLUG WILL ACCEPT 24 OR 26 AWG STRANDED WIRE HAVING A MAXIMUM INSULATION DIAMETER OF 0.89-0.99 MM



								Material				SEE TABLE		Item No.	121145			
								Angles Projection				Size	Scale	Unit	DWG No.			
								Sheet				1 OF 1		Version: A/0		Part Name		
2		SOLID BIADE	COPPER ALLOY T=0.3 FINISH Au G/F half	SYM	Number	Bill No. of Alteration	Signature	Date	Tolerance			A4	X:1	mm	ERP		8P8C Modular plug	
1		8P8C 0.3	PC CLEAR UL94V-2	Drawn	Ding jian bo	2015.12.28			0.00-20.00 ±0.10 20.00-50.00 ±0.15 50.00-100.00 ±0.20 100.00- Angle ±0.25 ±30°						Part No.			
NO	DWG NO.	NAME	DESCRIPTION	Checked	Ge pei jun	2015.12.28	Approved	Wang wei jun	2015.12.28	Sheet					Version: A/0		Part No.	