



DVI-D Dual Link Cable

118932 / 118933 / 118935 /
118937

The equip[®] DVI-D Dual-Link Cable is a DVI-D to DVI-D digital video cable which is designed to insure a perfect signal from digital video source at longer distances without loss or interference. With male DVI-D connectors on each end, it provides an interface between any DVI enabled devices, such as monitor, DVD player, digital projector, LCD and plasma HDTV, etc

| Specification

Connectors	1 x DVID-Male
	1 x DVID-Male
Cable length	118932: 1.8m
	118933: 3.0m
	118935: 5.0m
	118937: 10m

| Key Features

- DVI-D (24+1) Male to DVI-D (24+1) Male
- Double-shielded with mylar foil and braid reduces interference
- Dual link digital signaling for high speed transmission up to 9.9Gbps.
- Support WUXGA (1920 x 1200) @ 120Hz
- Support WQXGA (2560 x 1600) @ 60Hz

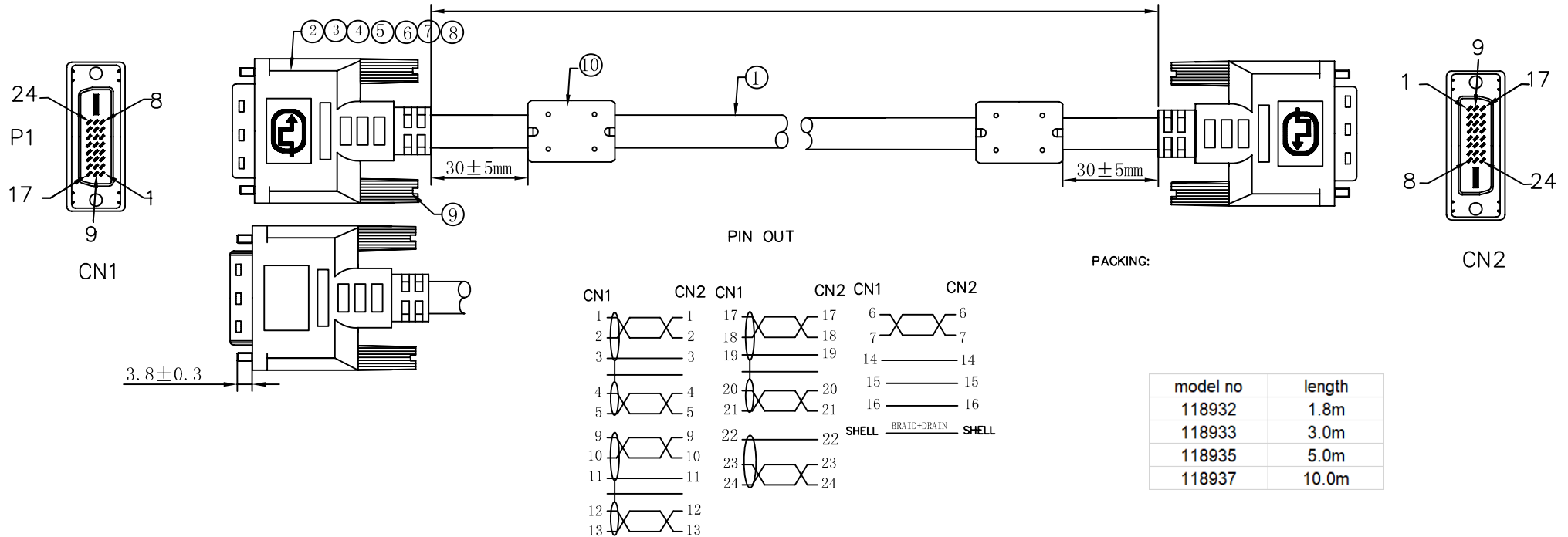
| Ordering Information

PN	EAN
118932	4015867593271
118933	4015867593288
118935	4015867593318
118937	4015867116760

| Package Contents

- 1 x DVI-D Cable

Packing: Equip Zip-bag



MATERIAL LIST:

NO.	PARTS NAME	SPECIFICATION DESCRIPTION	QT' Y	REMARK
⑩	FERRITE CORE	17.5*28.5*9.5mm MOLDING / BLACK	2	
⑨	DVI SCREW	Nickel PLATED MATERIAL SCREW, \varnothing 4.0mm*L:47mm, MOLDING BLACK	4	
⑧	H. S TUBE	Color:Black; OD=0.6mm L:17mm	14	
⑦	H. S TUBE	Color:Black; OD=1.0mm L:27mm	2	
⑥	H. S TUBE	Color:Black; OD=1.5mm L:9mm	14	
⑤	H. S TUBE	Color:Black; OD=2.0mm L:9mm	14	
④	OVER MOLDING	PVC 88A WHITE	2	
③	INNER MOLDING	LD-PE	2	
②	DVI	DVI (24+1)/M SOLDER Type, The Pin Gold Plating, the shell for Nickel Plated	2	
①	CABLE	28AWG (24+1) (7/0.12BC*1P+E+WAM)*7+7/0.12BC*1P+7/0.12BC*3C+AEB B=0.12mm/8*16 AL-MG E=7/0.12BC JACKET:PVC/BLACK OD:8.4±0.2mm	1	
NO.	PARTS NAME	SPECIFICATION DESCRIPTION	QT' Y	REMARK

NOTE:

1. Electrical test:

- (1). 100% open short & miss wire test;
- (2). Insulation resistance: DC 300V 10M ohm;
- (3). Contact resistance: 10 ohm;
- (4). Dielectric strength: 150V AC/Sec, 2mA.

2. RoHS&REACH Compliant

3. PRINT WORD: AWM STYLE 20276 80°C 30V VW-1 DVI

