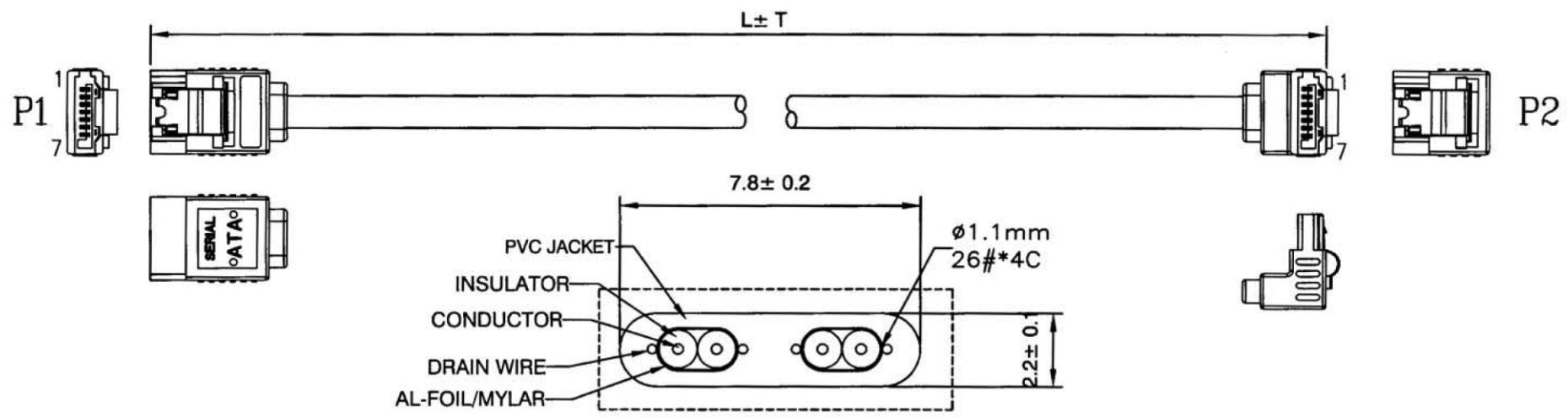
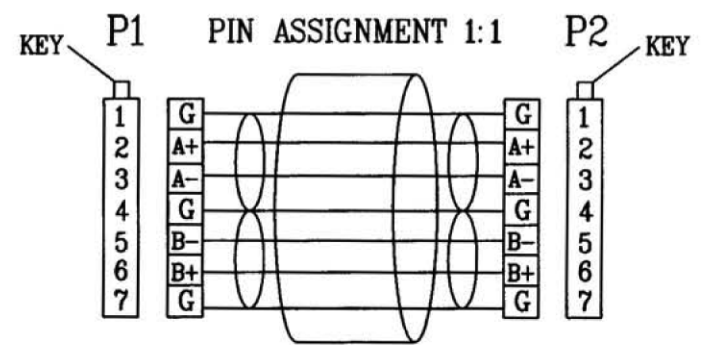


LTR	REV.	DESCRIPTION	DATE



- NOTE:**
- CABLE:**
 UL2725 80°C 30V [26AWG(1/0.404)*2F+AL/MY+DRAIN WIRE(1/0.32)*2]TIN
 INS: FOAM-PE OD: $\phi 1.1 \pm 0.05$ mm PVC JACKET OD: $\phi (2.2 \pm 0.1) * (7.8 \pm 0.2)$ mm
 COLOR: RED (PANTONE 200C) IMPEDANCE: 100 ± 5 OHM
 - CONNECTOR:** P1: SATA 7P GOLD FLASH CONTACT, W/METAL LATCH
 P2: SATA 7P 90° GOLD FLASH CONTACT, W/METAL LATCH
 - HOOD:** MOLDED TYPE, PVC 45P, COLOR: BLACK(NK-K01)
 - CABLE ASS'Y ELECTRICAL TEST:**
 4-1 100% OPEN SHORT & MIS WIRE TEST
 4-2 CONTACT RESISTANCE 3 OHM MAX
 4-3 INSULATION RESISTANCE 10M OHM MIN
 - PACKING:** EACH PC / POLYBAG.



Item No	L (mm)	T (mm)
111802	500	10
111804	1000	20

Tolerance	Inch	M/M
.X	.015	.30
.XX	.010	.10
.XXX	.005	.05



SATA Flat Cable intern 2x 7pin/Male
with Angled Plug and Metal Latch